

## Ina - Black



IP20 

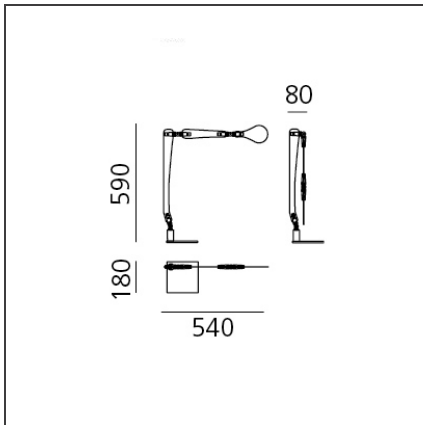
### DESIGN BY

Carlotta de Bevilacqua

### DESCRIPTION

Ina is a desk light that can hold infinite positions. This is the reason why it satisfies the continuously changing functional and emotional needs of illumination in both home and work places. It is designed to light a work surface correctly. It can also create infinite settings and luminous atmospheres because the user can interpret the light in different ways. The lamp can hold different positions and orientations giving therefore great freedom of choice in monitoring the light. The intensity and wideness of the lit area are determined by the movement of the arm on three articulated joints that basically allows a 360° movement in all directions. This is possible also due to the extreme lightness of the structure and its circuits that feed the 84 LEDs. This translates into an absolutely flat (3mm thick) iconic shape. Its aesthetic is due to technical, constructive, electrical and structural reasons. Thus, the object is very simple but highly technological.

### TECHNICAL DRAWINGS



### FEATURES

<b>Article Code:</b>	DD0007A09	<b>Material:</b>	printed circuit on aluminum
<b>Colour:</b>	Black	<b>Series:</b>	Scenarios
<b>Installation:</b>	Table		
<b>Environment:</b>	Indoor		

### DIMENSIONS

<b>Length:</b>	cm 54
<b>Width:</b>	cm 18
<b>Height:</b>	cm 59
<b>Depth:</b>	cm 8

### INCLUDED SOURCES

<b>Category:</b>	LED	<b>Color temperature (K):</b>	3000K
<b>Number:</b>	1		
<b>Watt:</b>	7,5W		
<b>Type:</b>	0		
<b>Class:</b>	A		

### LUMINAIRE

<b>Watt:</b>	11W	<b>Delivered lumens output (lm):</b>	303lm
		<b>CCT:</b>	3000K
		<b>Efficiency:</b>	100%
		<b>Efficacy:</b>	27.58lm/W
		<b>CRI:</b>	80