

## PRODUCT DATA SHEET

### Callimaco LED


**DESIGN BY:**

Ettore Sottsass  
1982

**MATERIALS:**

Painted aluminium and steel

**DESCRIPTION:**

Base and diffuser in painted steel, stem in painted aluminium, handle in polished chrome metal plate. Indirect light emission. Colour: multicolour.

Lamp included, with dimmer.

**SELECT**

LED

Multicolour

**PRODUCT CODE**

A011100

**Light emission**


Dimmable

**TECHNICAL DATA SHEET**
**FEATURES**

Product name:	Callimaco LED
Article Code:	A011100
Colour:	Multicolour
Material:	Painted aluminium and steel
Series:	Design
Environment:	Indoor
Area contract:	Private Residence

**OPTICS**

Emission:	Indirect
-----------	----------

**DIMENSIONS**

Height:	cm 200
Diameter:	cm 39
Impact Resistance:	N/D
Glow Wire Test:	650 °

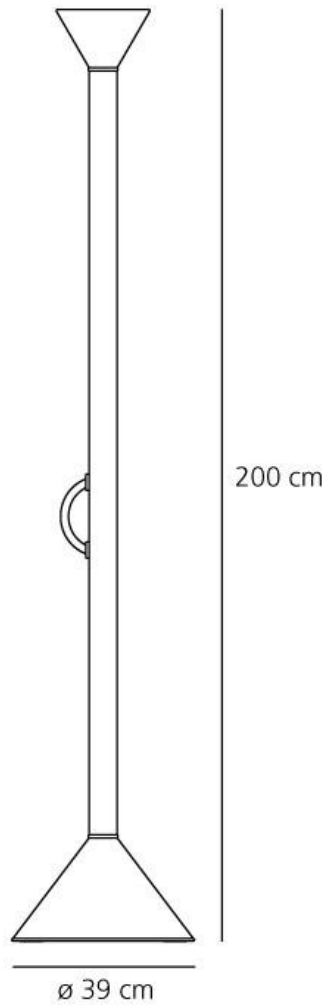
**LAMPS INCLUDED**

Category:	LED
Watt:	38W
Luminous Flux (lm):	4368lm
Typology:	1
Color temperature (K):	3000K
Class:	A

**LUMINAIR**

Watt:	45,W
Voltage:	220V-240V

**DIMENSIONS**



COLOUR



**AWARDS**

\_Twentieth Century Design Collection of the Metropolitan Museum of Art New York (US) \_The Israel Museum Jerusalem (Israel)