

Yanzi Table



IP20   

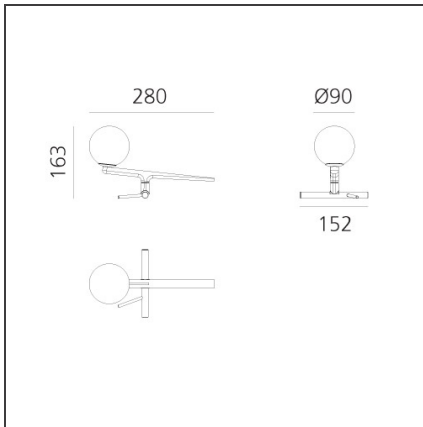
DESIGN BY

Neri&Hu

DESCRIPTION

The activity of Neri&Hu is founded on constant research and the desire to work on the dynamic interaction of experience, detail, material, shape, and light, rather than adapt to stereotyped formulas. In a blend of tradition and innovation, Yanzi is a lightweight composition of graphic signs. Balanced structures, such as branches or perches, support multiple stylized figures to provide a variety of versions and qualities of light. They are iconic swallows with a brushed brass body, with their head like a white glass sphere enclosing light, either flying free or contained in glass cages. There is unique sensibility in matching warm and cold, essential yet refined materials. Yanzi is an open system, ideal for creating lightweight compositions and light landscapes that animate any space with an elegant poetic attitude.

TECHNICAL DRAWINGS



FEATURES

Article Code:	1101010A	Material:	Brushed brass, blown glass
Colour:	Brushed brass, white, black	Series:	Design
Installation:	Table, Floor, Suspension	Emission:	Diffused
Environment:	Indoor		

DIMENSIONS

Length:	cm 28
Width:	cm 15.2
Height:	cm 16.3

INCLUDED SOURCES

Category:	LED	Color temperature (K):	3000K
Number:	1	Color Tolerance:	MacAdam 2SDCM
Watt:	6.7W	CRI:	90
Delivered lumens output (lm):	757lm	Efficacy:	113lm/W
Type:	0	Service Life:	50000-L90
Class:	A		

LUMINAIRE

Watt:	9,5W	Delivered lumens output (lm):	623lm
		CCT:	3000K
		Efficiency:	84%
		Efficacy:	69.24lm/W
		CRI:	90
		Dimmer Typology:	Microswitch Dimmer