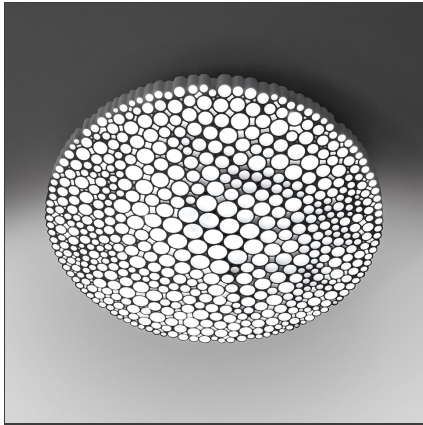


# Calipso 3000K



IP20    Dimmerable: 

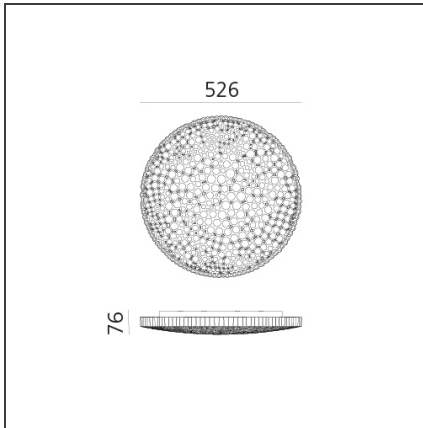
## DESIGN BY

Neil Poulton

## DESCRIPTION

The unique honeycomb grill of Calipso was generated by feeding a photo of the moon into an image-based algorithm found on a seemingly extinct computer. The resulting fractal shape, an impure geometry that displays the irregular beauty of nature, is built from an organic honeycomb of different diameter tubes, seemingly arranged in a random geometry. This honeycomb characterizes the lamp both aesthetically and optically - not only is it visually pleasing, but it also provides an even and comfortable light emission. The result is a highly emotional lighting object that joins together optical and aesthetic intelligence. A product positioned perfectly half-way between home and professional use, Calipso is suited to a variety of applications - expressing Artemide's traditional approach to deliver high performance lighting with a unique and emotional expressiveness.

## TECHNICAL DRAWINGS



## FEATURES

<b>Article Code:</b>	0210010A	<b>Material:</b>	Tecnopolymer
<b>Colour:</b>	White	<b>Series:</b>	Design, 2018
<b>Installation:</b>	Wall, Ceiling		Artemide Collection
<b>Environment:</b>	Indoor	<b>Emission:</b>	Direct

## DIMENSIONS

<b>Width:</b>	cm 7.6	<b>Glow Wire Test:</b>	650
---------------	--------	------------------------	-----

## INCLUDED SOURCES

<b>Category:</b>	LED	<b>Color temperature (K):</b>	3000K
<b>Number:</b>	4	<b>Color Tolerance:</b>	MacAdam 3SDCM
<b>Watt:</b>	10.8W	<b>CRI:</b>	90
<b>Delivered lumens output (lm):</b>	1214lm	<b>Efficacy:</b>	112lm/W
<b>Type:</b>	0	<b>Service Life:</b>	50000-L70

## LUMINAIRE

<b>Watt:</b>	55W	<b>Delivered lumens output (lm):</b>	2884lm
<b>Voltage:</b>	220-240V	<b>CCT:</b>	3000K
		<b>Efficiency:</b>	56%
		<b>Efficacy:</b>	52.43lm/W
		<b>CRI:</b>	90
		<b>Dimmable Typology:</b>	Push