

PRODUCT DATA SHEET

Demetra Professional Table with Movement Detector - Body Grey



DESIGN BY:

Naoto Fukasawa

MATERIALS:

aluminium, technopolymer, steel

DESCRIPTION:

The Demetra family is expanded with two new versions to meet varying usage requirements: Demetra Micro and Demetra Professional. While flow emission varies in Demetra Professional, its size is identical to the classical version. It was designed to address the need for a task light with greater flows allowing to obtain high illuminance on the working top. With the advanced LED technology and the adoption of smart elementary solutions, maximum performance is ensured in a minimal product. Its look is the typical essential and linear one of Demetra, but its head is a more complex optical device, designed for more powerful LEDs also through painstaking study of thermal science. The aluminium bottom of the head's body works as a heatsink by taking shape and folding inside the head to accommodate the LED, however without contact and therefore without creating a heat bridge with the top. This allows maximum dissipation, and therefore the use of a high-power COB LED, without affecting its functionality deriving from operation and from direct user relation with the lamp. The top of its head can be safely touched without contact with high temperatures. Emission is controlled by a reflector that slightly protrudes from the head's profile and designs perfect illuminance on the top to create a work station with a high colour yield (Cri 90). The Demetra family becomes more complete to satisfy all the needs of different application fields with flexible and comprehensive solutions, as well as with specific and dedicated ones. Demetra MD: this table model features a Motion Detector option detecting moving objects and people and turning the light on or off accordingly.

SELECT

LED

Grey

PRODUCT CODE

1740010A

Light emission

IP20

Dimmable

TECHNICAL DATA SHEET

FEATURES

Product name:	Demetra Professional Table with Movement Detector - Body Grey
Article Code:	1740010A
Colour:	Grey
Material:	aluminium, technopolymer, steel
Series:	Design, Novelties
Environment:	Indoor

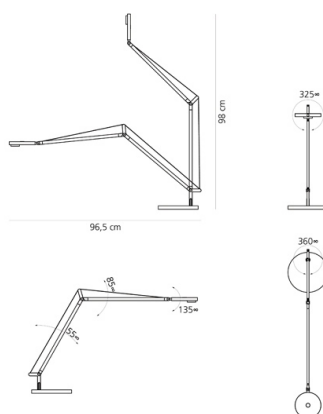
OPTICS

Emission:	Direct
-----------	--------

DIMENSIONS

Length:	cm 31
Width:	cm 20
Height:	cm 35
Base Diameter:	cm 20
Max Extension Height:	cm 102
Max Extension Length:	cm 100
Glow Wire Test:	750 °

DIMENSIONS



COLOUR



LAMPS INCLUDED

Category:	LED COB
Number:	1
Watt:	12 W
Color temperature (K):	3000 K
Class:	A

LUMINAIR

Watt:	12 W
Luminous Flux (lm):	960 lm
CCT:	3000 K
Efficiency:	84 %
Efficacy:	80 lm/W
CRI:	90
Dimmer Typology:	Microswitch Dimmer

ACCESSORIES



DEMETRA LED T BASE GRO
1733010A



DEMETRA SUPPORTO T FISSO
GRO 1743010A



DEMETRA MORSETTO GRO
1744010A