

PRODUCT DATA SHEET

Mercury Halo Suspension - Inox



DESIGN BY:

Ross Lovegrove
2007

MATERIALS:

Painted steel, stainless steel, chrome aluminium, thermoplastic material

DESCRIPTION:

A ceiling fixture that places a floating assembly of large pebbles below a simple modern aluminium disc. These in turn reflect each other bouncing light between their taught bio - morphic surfaces and reflecting the environment around them. During the day the piece acts as a sculptural object reflecting the dynamics of natural light and the movement of people around them. Die-cast aluminium lighting units; reflective units made of injection-moulded thermoplastic material with metallic finish; die-cast aluminium reflector.

Its modular shape lends itself to the creation and realisation of customized compositions, supplied as special project.

SELECT

HALO LED

Metal grey / mirror

PRODUCT CODE

1397110A

Light emission



IP20

Dimmable

TECHNICAL DATA SHEET

FEATURES

Product name:	Mercury Halo Suspension - Inox
Article Code:	1397110A
Colour:	Metal grey / mirror
Material:	Painted steel, stainless steel, chrome aluminium, thermoplastic material
Series:	Design, Hydro
Environment:	Indoor
Area contract:	Hospitality Hotel, Office, Private Residence

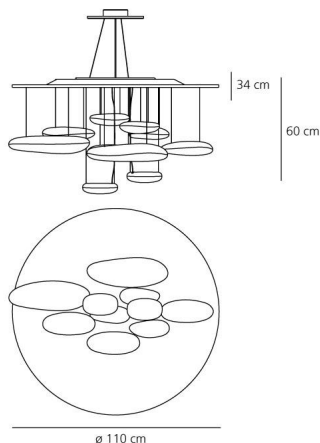
OPTICS

Emission:	Indirect
-----------	----------

DIMENSIONS

Height:	cm 60
Diameter:	cm 110
Max Height from ceiling:	cm 200
Impact Resistance:	N/D
Glow Wire Test:	650 °

DIMENSIONS



COLOUR



LAMPS NOT INCLUDED

Category:	HALO
Number:	2
Lbs:	Qt-de12
Watt:	160W
Socket:	R7s
Type:	Hdg
Luminous Flux (lm):	3300lm
Colour Rendering:	1a
Colour temperature (K):	2950K
Duration (h):	2000h

ALTERNATIVE LAMPS

LED

Category:	LED
Watt:	11w
Luminous Flux (lm):	1110lm

Socket: R7s
Class: A

LUMINAIR

Watt: 2x160W
Voltage: 220V-240V
Luminous Flux (lm): 6600lm
CCT: 3000K

AWARDS

_2008 Reddot Design Award "Best of the Best", Essen (Deutschland) _2008 Good Design Award The Chicago Atheneum, Chicago (US)