

PRODUCT DATA SHEET

Demetra spotlight LED titanium with switch


DESIGN BY:

Naoto Fukasawa
2013

MATERIALS:

Polished Aluminium

DESCRIPTION:

Base, head and arms in painted aluminium. Adjustable arms and head. With light intensity regulator, dimmer Microswitch.

SELECT

LED	▼
Wall	▼
titanium	▼

PRODUCT CODE

1730030A

Light emission

IPIP 20

Dimmable

TECHNICAL DATA SHEET
FEATURES

Product name:	Demetra spotlight LED titanium with switch
Article Code:	1730030A
Colour:	titanium
Material:	Polished Aluminium
Series:	Design

DIMENSIONS

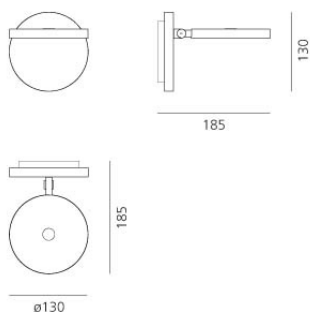
Length:	cm 18.5
Height:	cm 13
Diameter:	cm 13
Impact Resistance:	N.D.
Glow Wire Test:	650 °

LAMPS INCLUDED

Category:	LED
Watt:	8 W
Color temperature (K):	3000K
Class:	A

LUMINAIR

Watt:	10W
Voltage:	220V-240V
Luminous Flux (lm):	392lm
CCT:	3000K

DIMENSIONS

COLOUR
