

PRODUCT DATA SHEET

Demetra spotlight LED grey with switch



DESIGN BY:

Naoto Fukasawa
2013

MATERIALS:

Polished Aluminium

DESCRIPTION:

Base, head and arms in painted aluminium. Adjustable arms and head. With light intensity regulator, dimmer Microswitch.

SELECT

LED

Wall

Grey

PRODUCT CODE

1730010A

Light emission

IP 20

Dimmable

TECHNICAL DATA SHEET

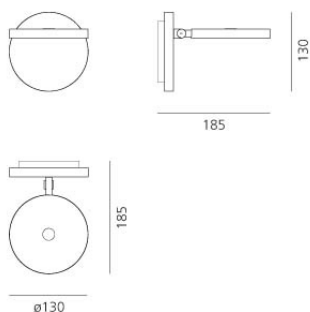
FEATURES

Product name: Demetra spotlight LED grey with switch
Article Code: 1730010A
Colour: Grey
Material: Polished Aluminium
Series: Design

DIMENSIONS

Length: cm 18.5
Height: cm 13
Diameter: cm 13
Impact Resistance: N.D.
Glow Wire Test: 650 °

DIMENSIONS



LAMPS INCLUDED

Category: LED
Watt: 8 W
Typology: 1
Color temperature (K): 3000K
Class: A

COLOUR



LUMINAIR

Watt: 10W
Voltage: 220V-240V