

PRODUCT DATA SHEET

Demetra spotlight LED white with switch


DESIGN BY:

Naoto Fukasawa
2013

MATERIALS:

Polished Aluminium

DESCRIPTION:

Base, head and arms in painted aluminium. Adjustable arms and head. With light intensity regulator, dimmer Microswitch.

SELECT

LED	▼
Wall	▼
white	▼

PRODUCT CODE

1730020A

Light emission

IP 20

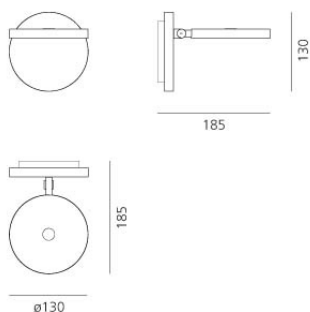
Dimmable

TECHNICAL DATA SHEET
FEATURES

Product name: Demetra spotlight LED white with switch
Article Code: 1730020A
Colour: white
Material: Polished Aluminium
Series: Design

DIMENSIONS

Length: cm 18.5
Height: cm 13
Diameter: cm 13
Impact Resistance: N.D.
Glow Wire Test: 650 °

DIMENSIONS

LAMPS INCLUDED

Category: LED
Watt: 8 W
Typology: 1
Color temperature (K): 3000K
Class: A

COLOUR

LUMINAIR

Watt: 10W
Voltage: 220V-240V