

PRODUCT DATA SHEET

Demetra spotlight LED titanium


DESIGN BY:

Naoto Fukasawa
2013

MATERIALS:

Polished Aluminium

DESCRIPTION:

Base, head and arms in painted aluminium. Adjustable arms and head.

SELECT

PRODUCT CODE

1731030A

Light emission

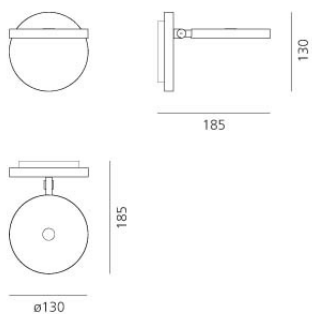
IPIP 20

TECHNICAL DATA SHEET
FEATURES

Product name:	Demetra spotlight LED titanium
Article Code:	1731030A
Colour:	titanium
Material:	Polished Aluminium
Series:	Design

DIMENSIONS

Length:	cm 18.5
Height:	cm 13
Diameter:	cm 13
Impact Resistance:	N.D.
Glow Wire Test:	650 °

DIMENSIONS

LAMPS INCLUDED

Category:	LED
Watt:	8 W
Color temperature (K):	3000K
Class:	A

COLOUR

LUMINAIR

Watt:	10W
Voltage:	220V-240V
Luminous Flux (lm):	392lm
CCT:	3000K