

## PRODUCT DATA SHEET

### Fiamma Wall - Black



#### DESIGN BY:

Wilmotte & Industries  
2014

#### MATERIALS:

Texturized anodized aluminium lamp body / transparent injection-moulded polycarbonate diffuser

#### DESCRIPTION:

"Modular and adjustable, Fiamma works with a LED source base and a set of accessories to meet the different needs of lighting in hotels: bedside lamp, floor lamp, wall lamp, suspension light. The look is willing to be « domestic », to feel like being at home, in order to reinforce the cosines of the object." Fiamma is a systemic lighting element designed to respond to the needs of the contract sector, yet well suited also for everyday living environments. An anodized aluminium cylinder with a specific texture – a perfect combination of look and functionality – is the true luminous engine of the system. The light emitted by the LED source is cleverly controlled by a transparent diffuser, designed with an anti-reflex texture, to ensure visual comfort in all usage conditions. Different supports can be assembled on it, all made of carefully processed aluminium, to obtain a variety of versions – suspension, ceiling, reading, table.

#### SELECT

LED

Black

#### PRODUCT CODE

1986020A

#### Light emission



#### Dimmable

#### TECHNICAL DATA SHEET

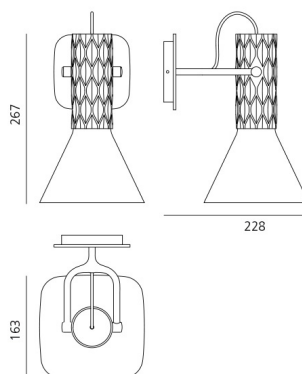
#### FEATURES

Product name:	Fiamma Wall - Black
Article Code:	1986020A
Colour:	Black
Material:	Texturized anodized aluminium lamp body / transparent injection-moulded polycarbonate diffuser
Series:	Design

#### DIMENSIONS

Width:	cm 22.8
Height:	cm 26.7
Cutout shape:	Squared

#### DIMENSIONS



#### LAMPS NOT INCLUDED

<input type="checkbox"/> LED	Category:	LED
	Watt:	8W
	Luminous Flux (lm):	390lm
	Typology:	2
	Socket:	GU10
	Class:	A
	Voltage:	230V

#### COLOUR



#### LUMINAIR

Watt:	8W
-------	----